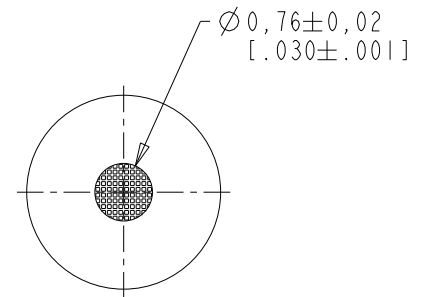
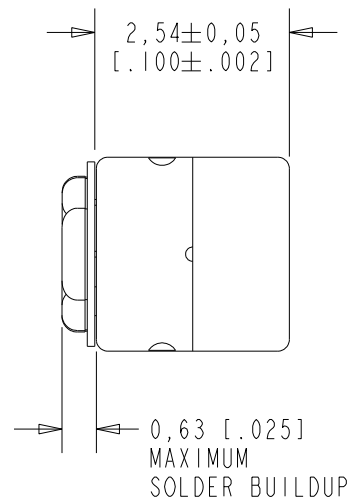
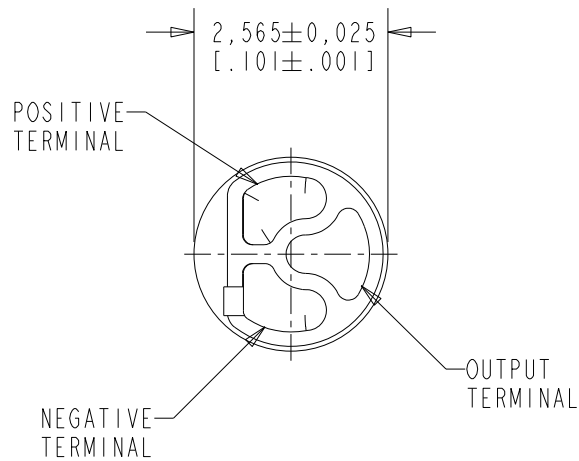


BFG-30035-G23

SHT 1.1



SCALE 5:1

DIMENSIONS IN MILLIMETERS [INCHES]

Revision	C.O. #	Implementation Date	RELEASE LEVEL	REVISION
H	MI0106960	11-16-16	Active	H
G	MI0106522	6-13-16		

SCALE: 10:1

DR. BY DATE
SDZ 1-07-09

DO NOT SCALE DRAWING

CK. BY DATE
GJP 1-07-09

KNOWLES CORPORATION

TITLE: MICROPHONE

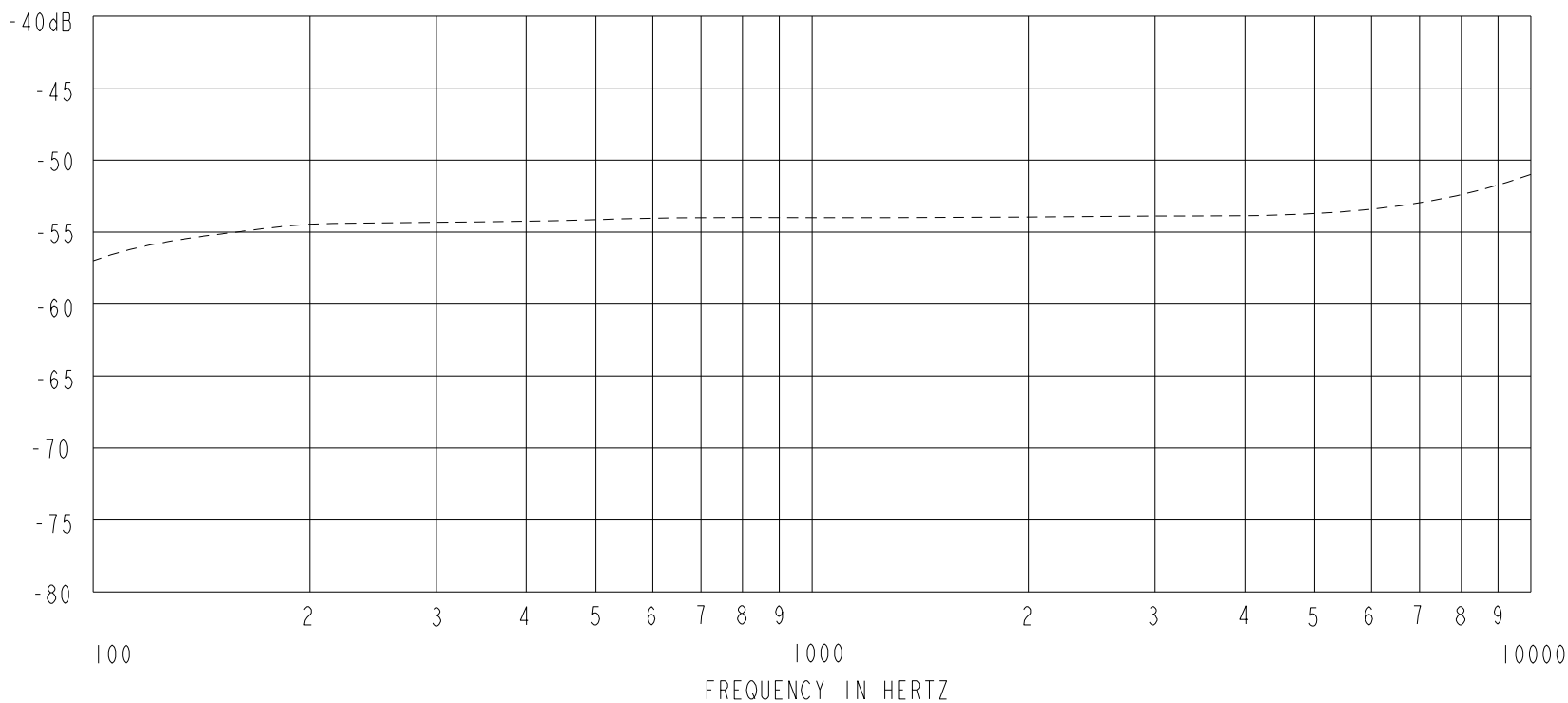
BFG-30035-G23

APP. BY DATE
GJP 1-07-09

OUTLINE DRAWING

SHT 1.1

SENSITIVITY IN dB RELATIVE TO 1.0 VOLT/0.1 Pa (N/M²)
FOR CONDITIONS SHOWN BELOW.



FREQUENCY	SENSITIVITY			DEVICE CONFORMITY	
	MIN.	NOM.	MAX.	RANGE OF DEVIATION FROM 1KHz	
100	---	-57.0	---	-4.0	-2.0
1000	-54.7	-54.0	-53.3	0.0	0.0
10000	---	-51.0	---	+2.0	+4.0

- NOTES:
1. CASE CONNECTED TO NEGATIVE TERMINAL.
 2. MICROPHONE TO BE FUNCTIONAL WITH 1.6 VDC SUPPLY.
 3. TYPICAL SENSITIVITY TO HUMIDITY AT 1000Hz IS 0.06 dB/%RH
 4. SENSITIVITY AND NOISE VALUES INDICATED ON THIS SPECIFICATION ARE VALID AT 50% HUMIDITY.

PORT LOCATION	DC SUPPLY	AMPLIFIER CURRENT DRAIN	SENSITIVITY CHANGE ON REDUCING SUPPLY TO 0.9VDC	"A" WEIGHTED NOISE (1 kHz EQUIV. SPL)		OUTPUT IMPEDANCE OHMS		
						MIN.	NOM.	MAX.
0KN	1.3V	75 μA MAX.	3 dB MAX.	26.0 dB TYP.	28.5 dB MAX.	2850	5200	8250

Revision	C.O. #	Implementation Date	RELEASE LEVEL	REVISION
H	M10106960	11-16-16	Active	H
G	M10106522	6-13-16		

KNOWLES CORPORATION

WHEN TEST LIMITS ARE USED TO ESTABLISH INCOMING INSPECTION ACCEPTANCE/REJECTION CRITERIA, CORRELATION OF TEST EQUIPMENT WITH KNOWLES IS ALSO REQUIRED FOR ELIMINATION OF EQUIPMENT AND TEST METHOD VARIATION

TITLE: MICROPHONE
PERFORMANCE SPECIFICATION

BFG-30035-G23
SHT 2.1

DR. BY	DATE
SDZ	1-07-09
CK. BY	DATE
GJP	1-07-09
APP. BY	DATE
GJP	1-07-09